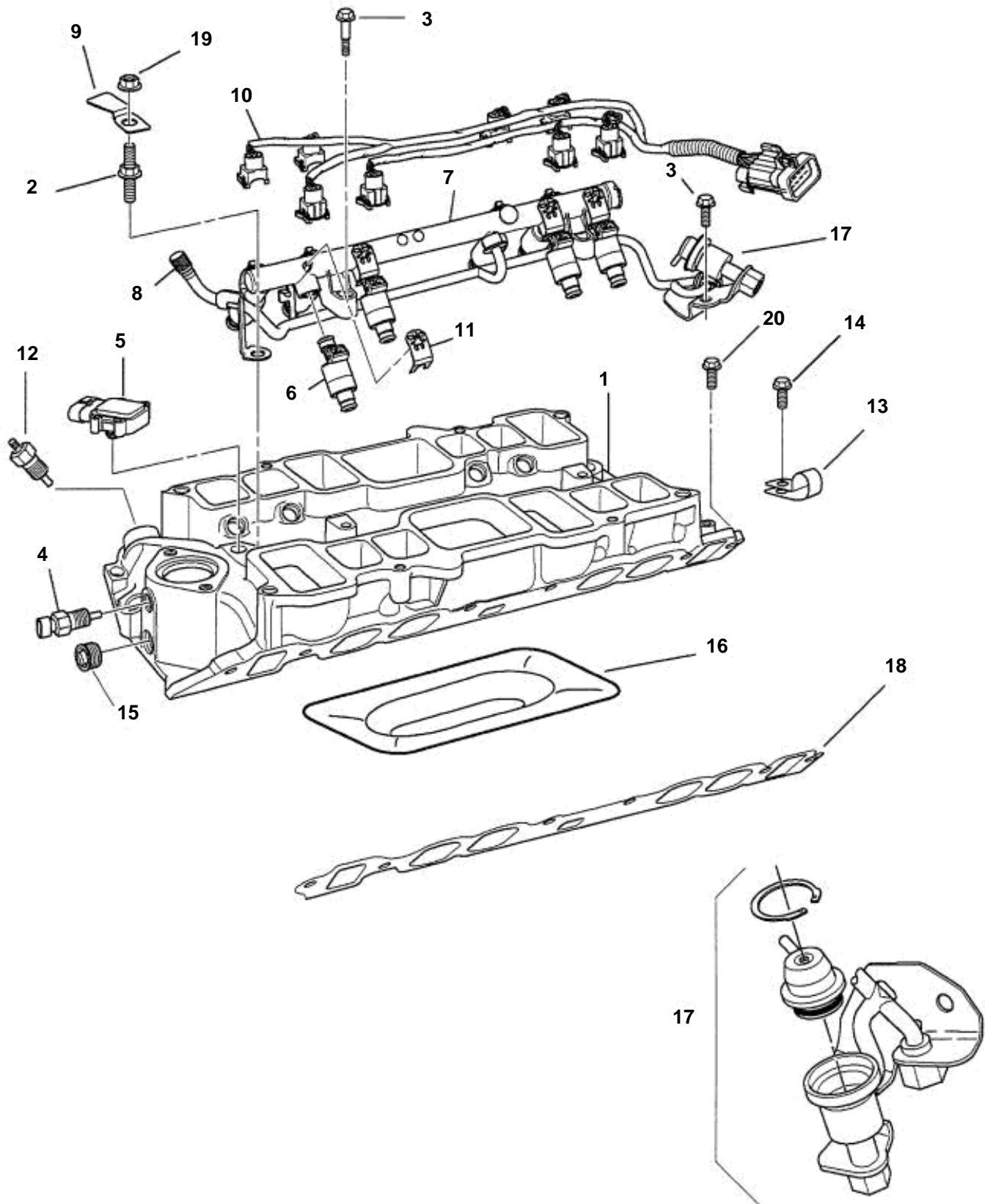


INTAKE MANIFOLD, LOWER, Gi



INTAKE MANIFOLD, LOWER, Gi

REF	PART NO.	QTY	DESCRIPTION	NOTES
1	3857684	1	Manifold, Lower	
2	3857485	1	Stud, Fuel rail, front	
3	3852595	2	Screw, Fuel rail, rear	
	3857472	2	Bolt, Fuel rail, middle	
4	3850397	1	Ect sensor, ECT	
5	3857479	1	Sender, MAP	
6	3855192	X	· O-ring, Fuel injectors	Pack of 12 o-rings, 6 seals
	3857700	8	Injector	
7	3857692	1	Fuel pipe	
8	3857698	1	· Valve	
	3853616	1	· · Protective cap	
9	3857682	1	Retainer, MAP sensor	
10	3857690	X	· Connector, Fuel injectors	
	3858053	1	Cable kit, Fuel injectors	
11	3858052	1	Clip, Fuel injectors	Pack of 8
12	872068	1	Sender, Water temperature	Dual stations
	3852029	1	Sender, Water temperature	
13	3852434	2	Clamp, Engine cable to intake	
14	3853419	1	Screw, Engine cable clamp to intake	
15	3850999	1	Plug, Intake by-pass hole	
16	3856027	1	Shield, Oil splash	
17	3857699	X	· Gasket kit, Fuel pressure regulator	
	3857703	1	Fuel press regulator, Fuel pressure	
18	3857680	1	Gasket kit, Lower intake to block	
19	3857683	1	Nut, MAP sensor retainer	
20	3855983	12	Screw, Lower intake to block	